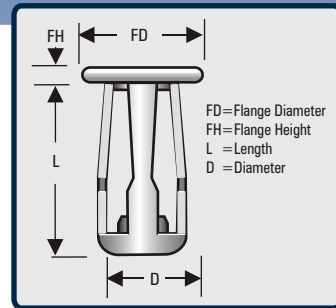


Jack Inserts

Blind insert similar to a wall anchor. Available in thread sizes: 6-32, 10-24 and 1/4-20 with two grip lengths offered per thread size. They are great for placing threads into materials like soft plastics and brittle materials which otherwise could not be threaded. Steel zinc plated finish.



| UNIFIED THREAD SIZES (inch) | | | | | | | |
|-----------------------------|-------------|--------------------|-----------|--------|---------|--------|---------|
| Thread Size | Part Number | Min-Max Grip Range | Hole Size | D. Nom | FD. Nom | L. Nom | FH. Nom |
| 6-32 UNC | FPC4SJN | .015-.187 | .318-.330 | .318 | .468 | .653 | .073 |
| 6-32 UNC | FPC4LJN | .187-.375 | .318-.330 | .318 | .468 | .841 | .073 |
| 10-24 UNC | FPC6SJN | .015-.187 | .382-.400 | .382 | .531 | .716 | .073 |
| 10-24 UNC | FPC6LJN | .187-.375 | .382-.400 | .382 | .531 | .888 | .073 |
| 1/4-20 UNC | FPC8SJN | .015-.187 | .438-.450 | .438 | .625 | .731 | .073 |
| 1/4-20 UNC | FPC8LJN | .187-.375 | .438-.450 | .438 | .625 | .919 | .073 |