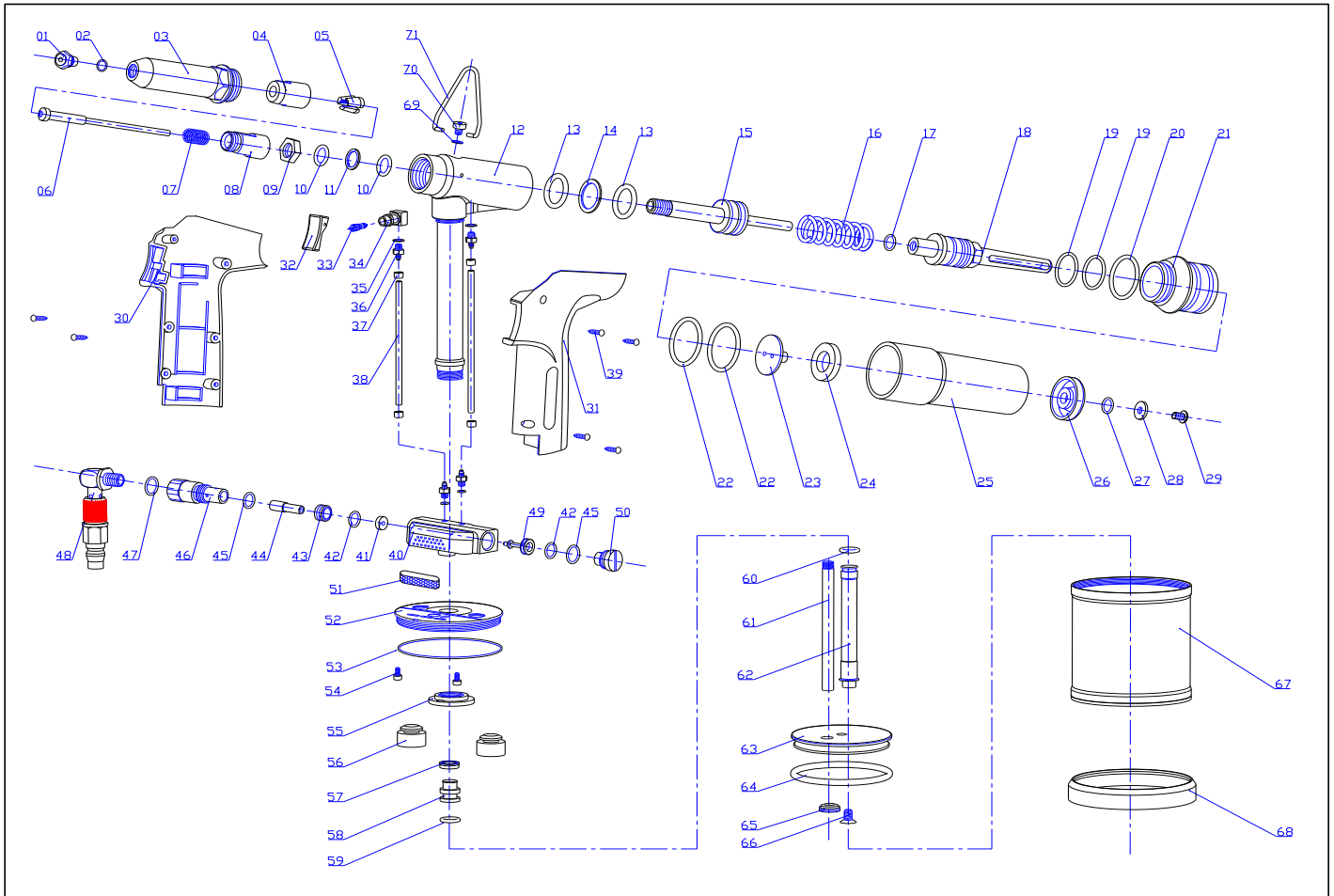


# FPC835M Rivet Tool Parts List - Revision A



## SEAL KITS #835M-400 Parts not sold separately

Dia. No.	Part No.	Description	Cost	Required No.
2	835M-2	"O" Ring	Included	1
10	835M-10	"O" Ring	Included	2
11	835M-11	TEFLON RING	Included	1
13	835M-13	"O" Ring	Included	2
14	835M-14	TEFLON RING	Included	1
17	835M-17	"O" Ring	Included	1
19	835M-19	"O" Ring	Included	2
20	835M-20	"O" Ring	Included	1
22	835M-22	"O" Ring	Included	2
27	835M-27	"O" Ring	Included	1
35	835M-35	"O" Ring	Included	4
42	835M-42	"O" Ring	Included	2
45	835M-45	"O" Ring	Included	2
47	835M-47	"O" Ring	Included	1
53	835M-53	"O" Ring	Included	1
57	835M-57	LIP SEAL	Included	1
59	835M-59	"O" Ring	Included	1
64	835M-64	"O" Ring	Included	1
65	835M-65	LIP SEAL	Included	1
69	835M-69	BS	Included	1

## "T" SHAPE HOUSING ASSEMBLY #835M-430 Parts not sold separately

Dia. No.	Part No.	Description	Cost	Required No.
12	835M-12	OIL CYLINDER	Included	1
35	835M-35	"O" Ring	Included	1
36	835M-36	AIR INTERFACE	Included	1
69	835M-69	BS	Included	1
70	835M-70	SEAL SCREW	Included	1
10	835M-10	"O" Ring	Included	2
11	835M-11	TEFLON RING	Included	1

## AIR VALVE ASSEMBLY #835M-420 Parts not sold separately

Dia. No.	Part No.	Description	Cost	Required No.
35	835M-35	"O" Ring	Included	2
36	835M-36	AIR INTERFACE	Included	2
40	835M-40	AIR VALVE BODY	Included	1
41	835M-41	AIR VALVE RING	Included	1
42	835M-42	"O" Ring	Included	2
43	835M-43	AIR VALVE BASE	Included	1
44	835M-44	SUBORDINATE TUBE	Included	1
45	835M-45	"O" Ring	Included	2
46	835M-46	CONNECTING BASE	Included	1
49	835M-49	AIR VALVE ROD	Included	1
50	835M-50	SCREW PLUG	Included	1
61	835M-61	TRANSFER TUBE	Included	1

## NAIL CONTAINER ASSEMBLY #835M-410 Parts not sold separately

Dia. No.	Part No.	Description	Cost	Required
23	835M-23	PARTITION	Included	1
24	835M-24	SILENCER	Included	1
25	835M-25	NAIL CONTAINER	Included	1
26	835M-26	COVER	Included	1
27	835M-27	"O" Ring	Included	1
28	835M-28	WASHER	Included	1
29	835M-29	BOLT	Included	1

# FPC835M Rivet Tool Parts List - Revision A

PARTS				
Parts sold separately				
Dia.	Part	Description	Cost	Required
1	835M-314	3/32" NOSEPIECE	call	1
1	835M-414	1/8" NOSEPIECE	call	1
1	835M-514	5/32" NOSEPIECE	call	1
1	835M-614	3/16" NOSEPIECE	call	1
3	835M-3	OUTER CYLINDER	call	1
4	835M-4	JAW HOUSING	call	1
5	835M-5	JAW	call	1
6	835M-6	PUSHER	call	1
7	835M-7	SPRING	call	1
8	835M-8	UPPER HOUSING	call	1
9	835M-9	SET NUT	call	1
15	835M-15	PRIME AXIS	call	1
16	835M-16	RESTORE SPRING	call	1
18	835M-18	VACUUM SWITCH	call	1
21	835M-21	AIRPROOF LID	call	1
30	835M-30	HANDLE(LEFT)	call	1
31	835M-31	HANDLE(RIGHT)	call	1
32	835M-32	TRIGGLE	call	1
33	835M-33	TRIGGLE VALVE	call	1
34	835M-34	ON/OFF BASE	call	1
37	835M-37	RESTRAIN RING	call	4
38	835M-38	AIR TUBE	call	2
39	835M-39	TAPPING SCREW	call	6
48	835M-48	SWITCH ASSEM.	call	1
51	835M-51	SILENCER	call	1
52	835M-52	CYLINDER COVER	call	1
54	835M-54	BOLT	call	2
55	835M-55	LOCK NUT	call	1
56	835M-56	BUFFER	call	2
58	835M-58	AIR TUBE PISTON	call	1
60	835M-60	PISTON RING	call	1
62	835M-62	PISTON ROD	call	1
63	835M-63	CYLINDER PISTON	call	1
66	835M-66	BOLT	call	1
67	835M-67	CYLINDER	call	1
68	835M-68	BASE COVER	call	1
71	835M-71	HOOK	call	1