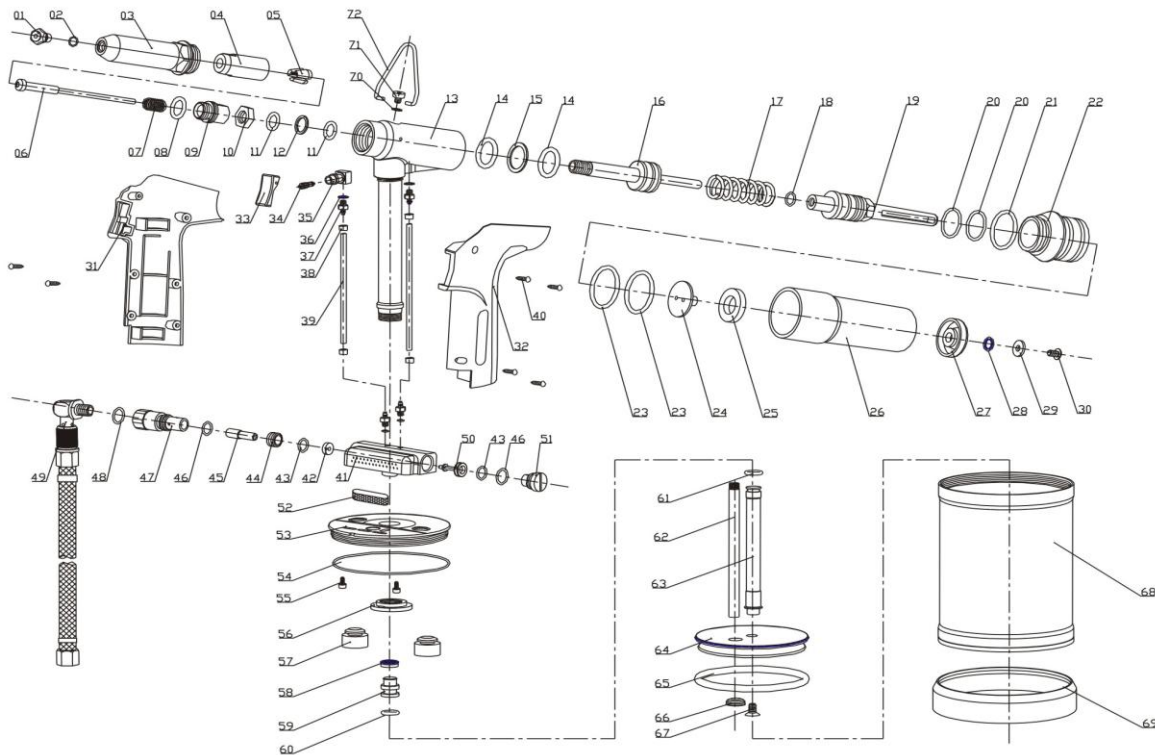


# FPC845M Rivet Tool Parts List - Revision A

FPC845M



## SEAL KITS #845M-400

Parts not sold separately

Dia. No.	Part No.	Description	Cost	Required No.
2	845M-2	"O" Ring	Included	1
8	845M-8	"O" Ring	Included	1
11	845M-11	"O" Ring	Included	2
12	845M-12	TEFLON RING	Included	1
14	845M-14	"O" Ring	Included	2
15	845M-15	TEFLON RING	Included	1
18	845M-18	"O" Ring	Included	1
20	845M-20	"O" Ring	Included	2
21	845M-21	"O" Ring	Included	1
23	845M-23	"O" Ring	Included	2
28	845M-28	"O" Ring	Included	1
36	845M-36	"O" Ring	Included	4
43	845M-43	"O" Ring	Included	2
46	845M-46	"O" Ring	Included	2
48	845M-48	"O" Ring	Included	1
54	845M-54	"O" Ring	Included	1
58	845M-58	LIP SEAL	Included	1
60	845M-60	"O" Ring	Included	1
65	845M-65	"O" Ring	Included	1
66	845M-66	LIP SEAL	Included	1
70	845M-70	BS	Included	1

## NAIL CONTAINER ASSEMBLY #845M-410

Parts not sold separately

Dia. No.	Part No.	Description	Cost	Required No.
24	845M-24	PARTITION	Included	1
25	845M-25	SILENCER	Included	1
26	845M-26	NAIL CONTAINER	Included	1
27	845M-27	COVER	Included	1
28	845M-28	"O" Ring	Included	1
29	845M-29	WASHER	Included	1
30	845M-30	BOLT	Included	1

## AIR VALVE ASSEMBLY #845M-420

Parts not sold separately

Dia. No.	Part No.	Description	Cost	Required No.
36	845M-36	"O" Ring	Included	2
37	845M-37	AIR INTERFACE	Included	2
41	845M-41	AIR VALVE BODY	Included	1
42	845M-42	AIR VALVE RING	Included	1
43	845M-43	"O" Ring	Included	2
44	845M-44	AIR VALVE BASE	Included	1
45	845M-45	SUBORDINATE TUBE	Included	1
46	845M-46	"O" Ring	Included	2
47	845M-47	CONNECTING BASE	Included	1
50	845M-50	AIR VALVE ROD	Included	1
51	845M-51	SCREW PLUG	Included	1
62	845M-62	TRANSFER TUBE	Included	1

## "T" SHAPE BODY ASSEMBLY #845M-430

Parts not sold separately

Dia. No.	Part No.	Description	Cost	Required No.
13	845M-13	OIL CYLINDER	Included	1
36	845M-36	"O" Ring	Included	1
37	845M-37	AIR INTERFACE	Included	1
70	845M-70	BS	Included	1
71	845M-71	SEAL SCREW	Included	1
11	845M-11	"O" Ring	Included	2
12	845M-12	TEFLON RING	Included	1

PARTS			Parts	
sold separately				
Dia. No.	Part No.	Description	Cost Each	Required No.
1	845M-614	NOSEPIECE	Call	1
1	845M-814	NOSEPIECE	Call	1
3	845M-3	OUTER CYLINDER	Call	1
4	845M-4	JAW HOUSING	Call	1
5	845M-5	JAW	Call	1
6	845M-6	PUSHER	Call	1
7	845M-7	SPRING	Call	1
9	845M-9	UPPER HOUSING	Call	1
10	845M-10	SET NUT	Call	1
16	845M-16	PRIME AXIS	Call	1
17	845M-17	RESTORE SPRING	Call	1
19	845M-19	VACUUM SWITCH	Call	1
22	845M-22	AIRPROOF LID	Call	1
31	845M-31	HANDLE(LEFT)	Call	1
32	845M-32	HANDLE(RIGHT)	Call	1
33	845M-33	TRIGGLE	Call	1
34	845M-34	TRIGGLE VALVE	Call	1
35	845M-35	ON/OFF BASE	Call	1
38	845M-38	RESTRAIN RING	Call	4
39	845M-39	AIR TUBE	Call	2
40	845M-40	TAPPING SCREW	Call	6
49	845M-49	SWITCH ASSEM.	Call	1
52	845M-52	SILENCER	Call	1
53	845M-53	CYLINDER COVER	Call	1
55	845M-55	BOLT	Call	2
56	845M-56	LOCK NUT	Call	1
57	845M-57	BUFFER	Call	2
59	845M-59	AIR TUBE PISTON	Call	1
61	845M-61	PISTON RING	Call	1
63	845M-63	PISTON ROD	Call	1
64	845M-64	CYLINDER PISTON	Call	1
67	845M-67	BOLT	Call	1
68	845M-68	CYLINDER	Call	1
69	845M-69	BASE COVER	Call	1
63	845M-63	PISTON ROD	Call	1
64	845M-64	CYLINDER PISTON	Call	1
67	845M-67	BOLT	Call	1
68	845M-68	CYLINDER	Call	1
69	845M-69	BASE COVER	Call	1
72	835M-71	HOOK	Call	1